

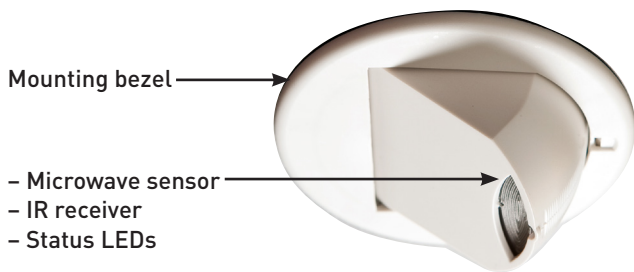
314 Tilting Microwave Detector

The 314 Tilting Microwave Detector provides occupancy detection for the automatic control of DALI lighting loads. The unit can also be controlled using a Helvar infrared remote control, such as the 303 DIGIDIM Infrared Remote Control.

The 314 detects movement using its highly sensitive microwave detector. It works by emitting low-power microwave signals and measuring the reflections as the signals bounce off moving objects.

The 314 has an adjustable sensor head that allows the area of detection to be optimised for the required application. When an area is no longer occupied, the load switches off after a certain time. This time-out period is configured using Helvar’s lighting system design and control software: Designer, or Toolbox.

Features and Connections



Microwave sensor

Detects movement within the detection range allowing load control in response to changes in room occupancy.

IR receiver

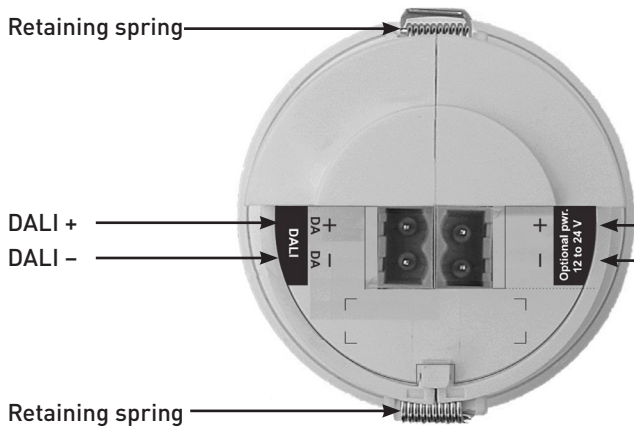
Receives control and programming commands from a 303 IR (infrared) handset (available separately).

Status LED

The red LED flashes to indicate the following:

Valid setting received	
Identify active	

= Red LED



Optional connection to external power

12 V to 24 V. See 'External Power Supply (Optional)' on page 3.

DALI connection

The DALI connection is made via DA+ and DA- terminals. The DALI input is not polarity sensitive (unless you are using an external power supply).

Installation

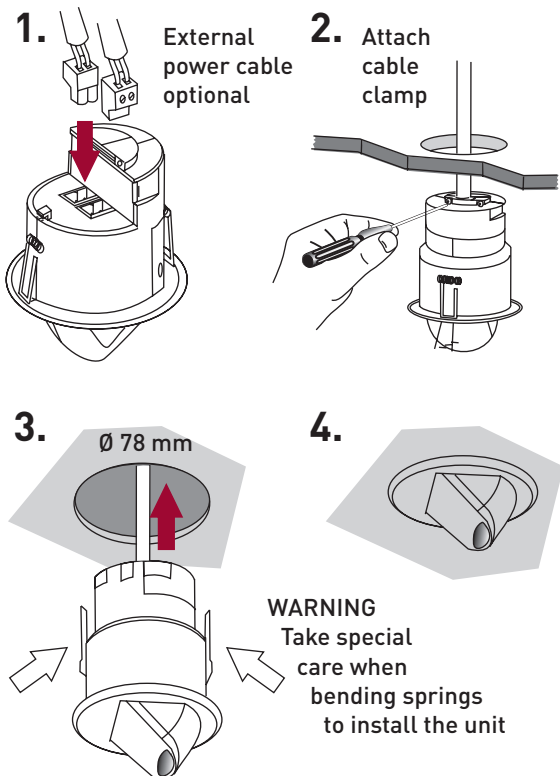
1. Install the unit: see 'Connection and Fixing' on page 2.
- 2a. Connect the DALI terminal blocks to the sockets located at the rear of the sensor.
- 2b. If required, connect the optional power supply: see 'Detection Pattern' on page 3.
3. Power the unit up.
4. After the lighting load switches on, by default it will switch off after 20 minutes of no movement detected.

Installation Notes

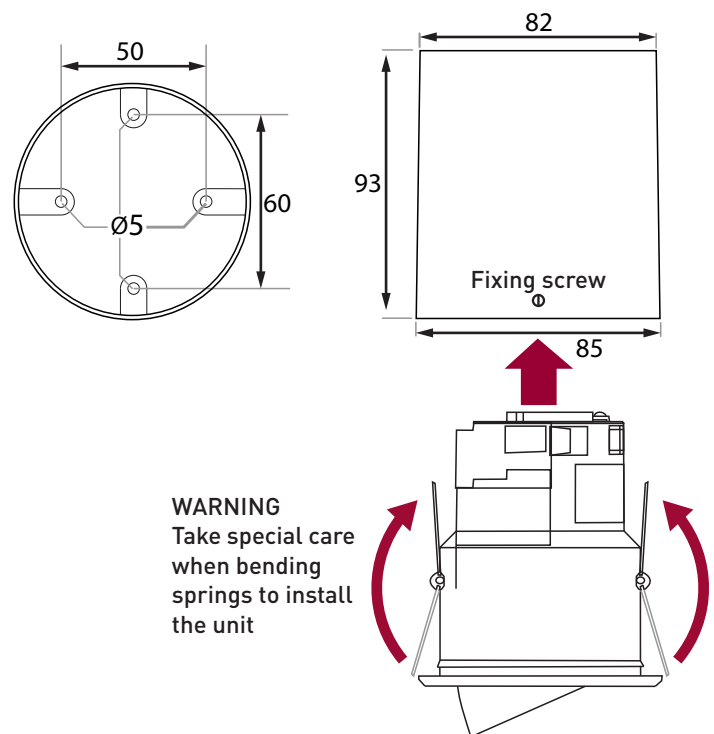
- Position the sensor so that the occupants of the room are normally inside the detection zone.
- Do not install the sensor within 1 m of any lighting, forced air heating, or ventilation equipment.
- Do not fix the sensor to an unstable or vibrating surface.
- Install the unit as far away as possible from the surface of metal objects.
- The detection pattern illustrated [see 'Sensitivity' on page 3] is based on a mounting height of 2.8 m.
- A lower mounting height will decrease the overall size of the detection zone.

Connection and Fixing

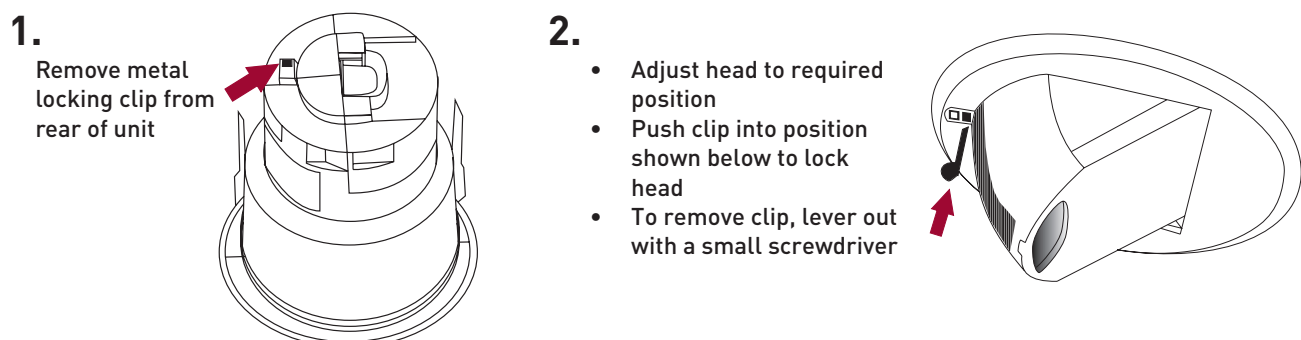
Mounting hole



Surface back box SBB-B

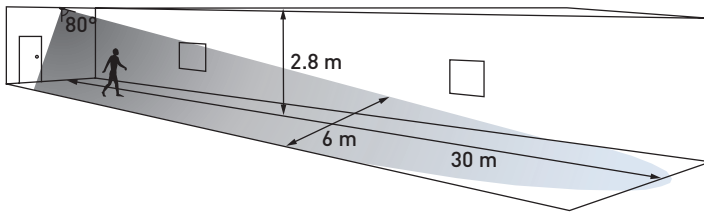


Head Locking

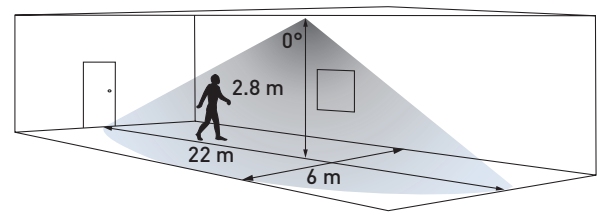


Detection Pattern

Detector head position at 80° to the vertical for large offices or classrooms and for corridor and aisles. Sensitivity set to maximum.



Detector head position at 0° to the vertical for open plan areas and offices. Sensitivity set to maximum.



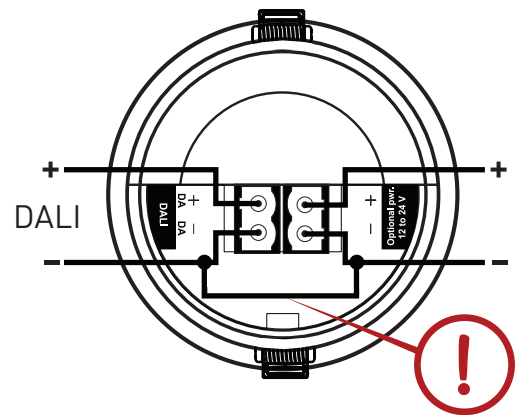
freedom in lighting

External Power Supply (Optional)

The following table gives the various 12 V to 24 V external power supply units that can be used, as well as the sensor hardware revision needed for each of them. With some models, you must make a wire link between the DALI negative terminal and the negative terminal of the external power supply, as shown in the figure.

EPS	Current limited	Link from DA- to EPS-	Sensor hardware revision
Helvar 401	Yes	No	Any
Helvar 402	Yes	Yes	Any
Helvar 403	Yes	No	Any
Helvar LL1x30-E-CV24	Slow	No	4 or later
Generic 12 V to 24 V	No	No*	4 or later

* Except in some cases where the generic EPS output is referenced to earth.



Remote Control

You can use a Helvar infrared remote control, such as the 303 DIGIDIM Infrared Remote Control to send signals to the 313 detector to:

- recall lighting scenes 1–4;
- adjust light levels;
- store current level; and
- install preset levels for scenes 1–4.



303 DIGIDIM Infrared Remote Control
For full details, see the 303 *Installation and User Guide*.

Other Functions

Sensitivity

Adjust the sensitivity using *Designer*, or *Toolbox* (Helvar's lighting system design and control software).

Note: On maximum sensitivity, the detector unit is **extremely sensitive** to movement and may detect through glass, thin walls or partitions. If this causes a problem, reduce its sensitivity.

Adjusting On, Exit and Transition Time-Outs

The default time-outs for On, Exit and Transition can be altered using *Designer*, or *Toolbox*.

Check connection to DALI Network

To check the sensor is correctly connected the DALI network, use the *Identify* function in *Designer*, or *Toolbox*.

Using Designer and Toolbox Software

When using *Designer*, connect the PC to the lighting network via a Helvar Router.

When using *Toolbox*, connect the PC to the lighting network via a Helvar serial or USB interface.

For further information about *Designer* and *Toolbox*, see the *System Software* section of www.helvar.com.

Helvar 314 Tilting Microwave Detector Installation Guide

Connections

External power / DALI: Removable terminal block
Wire section: 0.5 mm² – 1.5 mm² solid or stranded

Cable rating: All cables must be mains rated.

Power

DALI supply input: 13 V to 22.5 V

DALI consumption: 40 mA

Note: DALI consumption is less than 2 mA when external power is supplied to the unit.

(Optional) External Power:

12 V to 24 V; 0.5 W

Remote control functions

Use Helvar 303 remote control to:

- recall lighting scenes 1–4;
- adjust light levels;
- store current level; and
- install preset levels for scenes 1–4.

Note: Adjust sensitivity using Designer, or Toolbox (not by remote control unit).

Factory setting for sensor sensitivity: 9 (maximum).

Microwave operating frequency

Model	Frequency
314	10.687 GHz China, Hong Kong, India, Malaysia, Middle East, Singapore, UK
314/R2	10.525 GHz Australia, Europe except for Austria, France, Germany, Ireland, Portugal, Slovakia, Switzerland and the UK
314/R3	9.900 GHz France, Portugal, Switzerland

Mechanical data

Mounting hole diameter: 78 mm

Bezel diameter: 85 mm

Recommended clearance depth (incl. 50 mm for cabling):
80 mm (without protective cover)
100 mm (with protective cover)

Material (casing): Flame retardant ABS and PC/ABS

Finish / Colour: Matt / White RAL 9003

Weight: 124 g

IP code: IP30

Operating conditions

Ambient temperature: +10 °C to +35 °C

Relative humidity: Max. 90 %, noncondensing

Storage temperature: –10 °C to +70 °C

Conformity and standards

EMC immunity: EN 61000–6–1

EMC emission: EN 61000–6–3

Safety: EN 60730–1

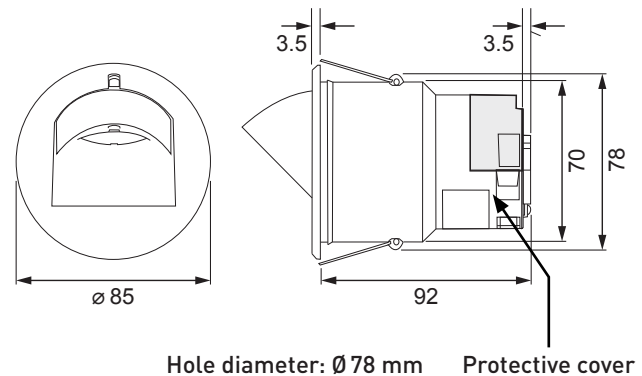
Environment: Complies with WEEE and RoHS directives.

Version information

Software version: 6

Hardware version: Rev. 4

Dimensions



Helvar Ltd
Hawley Mill
Hawley Road
DARTFORD
DA2 7SY
UNITED KINGDOM
www.helvar.com

Doc. 7860269, issue 6, 2017-06-12
Data subject to change without notice